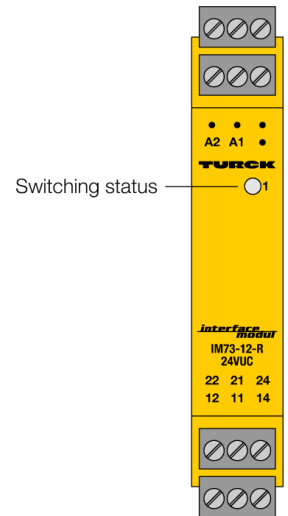
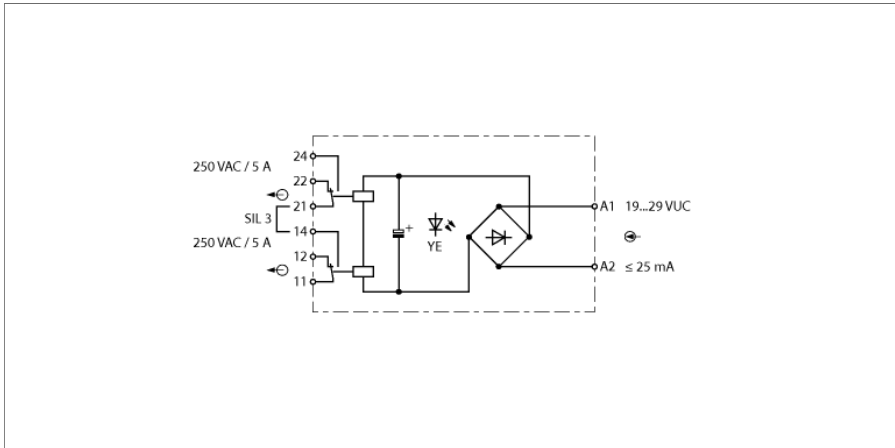


**Relay coupler
1-channel
IM73-12-R/24VUC**



The IM73-12-R/24VUC 1-channel relay coupler is particularly suitable for use as a coupling module for the safe galvanic isolation of binary signals. 2 synchronous controlled relays, each with 1 changeover contact are provided at the output.

If applied in SIL-3 circuits, the following conditions have to be observed:

- If the output relay triggers a contactor directly, the contactor must be equipped with a protective circuitry at the coil connection.
- Both relays have to be connected in series.
- The contact circuit is equipped with a fuse and is activated at 60 % nominal current.

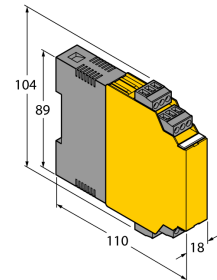
The status of the relay is indicated via LED on the front.

- **TR CU**
- **Output circuit: 2 relays each with 1 changeover contact**
- **5 A switching current at 250 VAC**
- **Operating voltage 19...29 VDC**
- **Removable terminal blocks**
- **SIL3**
- **Galvanic isolation between input circuits and output circuits**

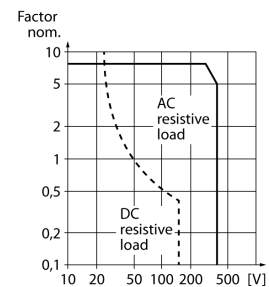
**Relay coupler
1-channel
IM73-12-R/24VUC**

Type designation	IM73-12-R/24VUC
Ident-No.	7520712
Nominal voltage	24 VUC
Frequency	48...62 Hz
Operating voltage range	19...29 VDC
Power consumption	≤ 0.6 VA
Voltage input	19...29 VAC/ VDC
Input current	25 mA
Output circuits (digital)	2 x relay (change-over)
Switching current per output	≤ 5 A
Switching capacity per output	≤ 2000 VA/180 W
Switching frequency	≤ 5 Hz
Contact quality	AgNi, 3μ Au
Galvanic isolation	
Test voltage	2.5 kV
Approval	SIL 3 acc. to EXIDA FMEDA
Indication	
Switching state	Yellow
Protection class	IP20
Flammability class acc. to UL 94	V-0
Ambient temperature	-25...+70 °C
Storage temperature	-40...+80 °C
Dimensions	104 x 18 x 110 mm
Weight	124 g
Mounting instructions	DIN rail (NS35) or panel
Housing material	Polycarbonate/ABS
Electrical connection	4 × 3-pin removable terminal blocks, reverse polarity protected, screw terminal
Terminal cross-section	1 x 2.5 mm ² / 2 x 1.5 mm ²
Tightening torque	0.5 Nm

Dimensions



Load curve



Relay coupler
1-channel
IM73-12-R/24VUC

Accessories

Type code	Ident-No.	Description	
IM-CC-3X2BK/2BK	7541218	Cage clamp terminals for IM modules (Ex-devices with 18 mm overall width); includes: 4 pcs. of 3-pin black terminals	